



BIONIT LABS

TURNING DISABILITIES INTO NEW POSSIBILITIES

PRODUCT BROCHURE

WE **WAVE**
ELECTRODE



CONNECT

CONTACT US



+39 0836 307525



info@bionitlabs.com



www.bionitlabs.com



Via Cracovia, 1 – 73010, Soleto (LE)



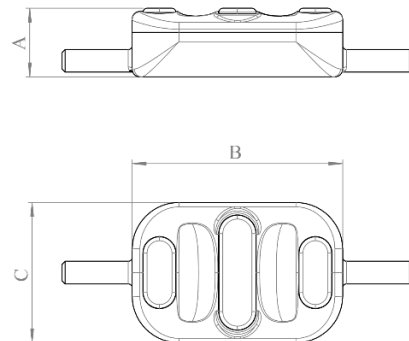
WAVE ELECTRODE (PN AE02-50 / AE02-60)



Our **compact, low-power, and active EMG electrodes** ensure accurate and fast reading of users' muscular signals, and they feature proportional output signals. Electrical contacts are made of **hypoallergenic medical-grade steel**, and the **IP67 case** is built with an impact-resistant thermoplastic polymer. The electrodes' gain can be set through a **gain level controller** located on the back of the electrodes. Each electrode comes with a gain level adjustment tool and a pair of spare suspension legs. The Wave Electrode is available in the **50Hz and 60 Hz models**.

PRODUCT DIMENSIONS:

DIM.	mm	inches
A	8	0,31
B	27	1,06
C	18	0,71



TECHNICAL DATA:

Notch filter frequency	Mod. AE02-50: frequency 50 Hz Mod. AE02-60: frequency 60 Hz
Input Voltage	6 ÷ 8.4 V (DC)
Supply Current	2 mA
Frequency Bandwidth	90 ÷ 450 Hz
Sensitivity range	2,000 ÷ 200,000 x
Weight	3 g
Operating environmental conditions	Temperature: -20°C/-4°F bis + 60°C/+140°F Humidity: 75% non-condensing
Storage and transport environmental conditions	Temperature: -20°C/-4°F to +70°C/+158°F Humidity: 85% non-condensing
Applied part materials	- Medical Grade Steel AISI 316 (EN 1.4401) - Medical ABS
Degree of protection from liquids and solids (IEC 60529)	IP67
Service life	5 years
Warranty	1 year

WAVE ELECTRODE ACCESSORIES

WAVE ELECTRODE LAMINATION KIT (PN MKAE-01)

The **Wave Electrode Lamination Kit** contains the tools needed to laminate the prosthetic socket, including lamination blanks and screws.

WAVE ELECTRODE THERMOFORMIG KIT (PN MKAE-02)

The **Wave Electrode Thermoforming Kit** contains the tools needed to fabricate the vacuum-formed prosthetic socket, including vacuum blanks and brackets.

WAVE ELECTRODE CABLE (PN AEC)

The **Wave Electrode Cable** is needed to connect the Wave Electrode to the prosthetic system. It is available in **different lengths** (30, 60, or 100 mm), in order to better adapt to the user's needs.

COMPATIBILITY

The Wave Electrodes are compatible with several myoelectric upper-limb prosthetic systems available on the market. For more information, send an e-mail to support@bionitlabs.com.

CE CONFORMITY AND FDA MARKETING CLEARANCE

The Wave Electrodes (AE02-50 / AE02-60) have currently entered the CE marking and FDA registration processes, in accordance with the European Regulation for Medical Devices MDR 2017/745 and in compliance with IEC 60601-1, IEC 60601-1-2, and IEC 60601-1-11 standards.

MANUFACTURER



BionIT Labs S.r.l.

Via Cracovia, 1

73010 – Soleto (LE) - ITALY

Certified Company

